

# TYPE 52FH/FHV/CFH

## H.T. & FILAMENT SUPPLIES

THE D.C. CIRCUIT SHOWN IS FOR 52H AND FHV ONLY

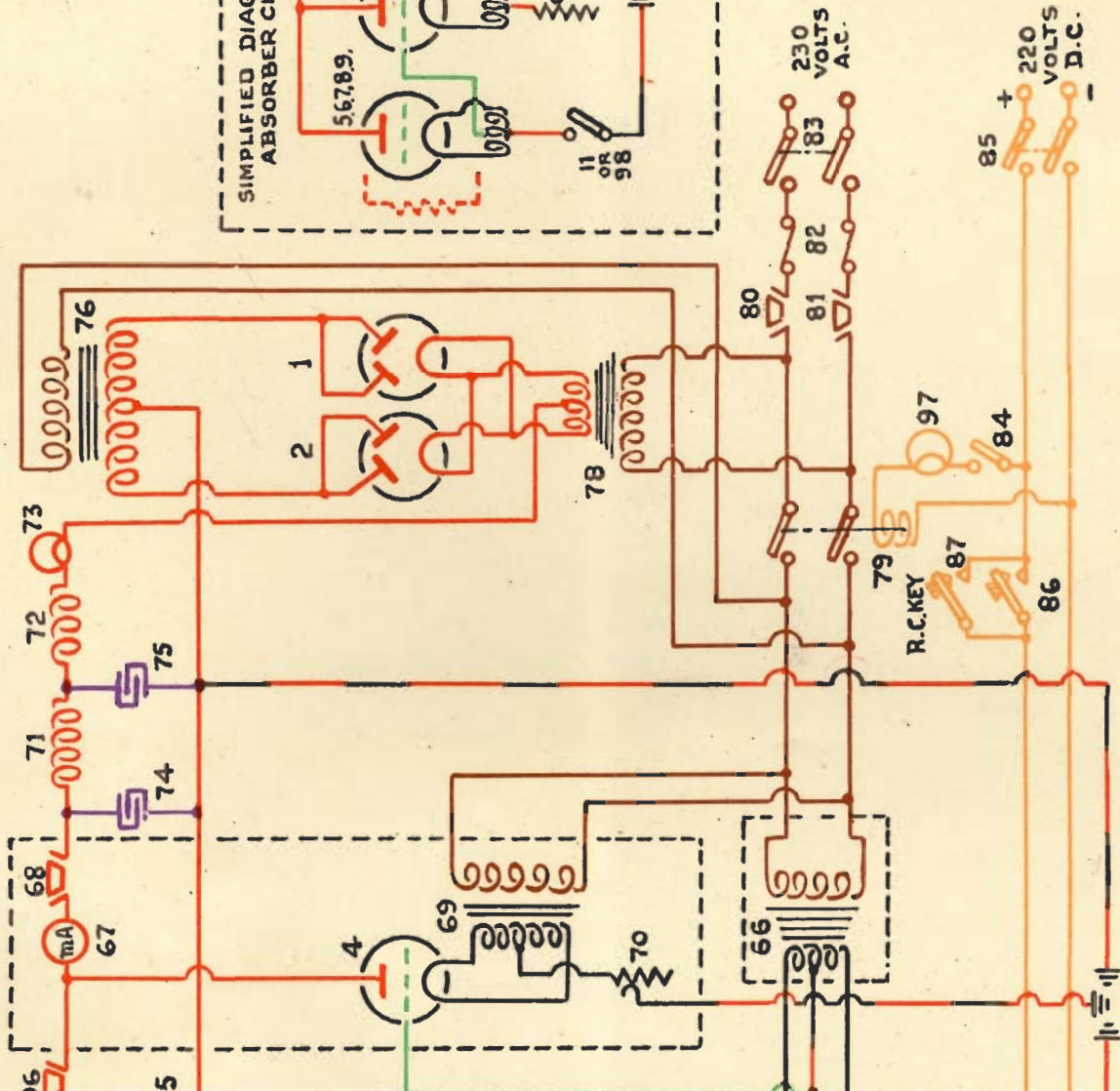
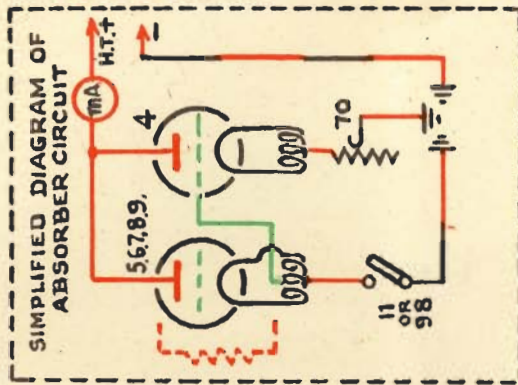


Fig. 8.

